

F&B / Room service / Minibar restocking trolleys

Lugano 650

Discrete minibar restocking



Standard equipment

- Anodised aluminium frame
- 1 compartment for small products with lid
- 2 fixed shelves with retaining bars
- Doors (opening up to 270°) with lock
- 4 swivelling wheels Ø125mm with non-marking polyamide layer
- 4 swivelling corner pads for protection
- 1 horizontal steering handle

Technical info

- Net weight (without options): 38 kg
- Allowed weight per shelf: 35 kg

Options

- Small products compartment
 - Linear dividers
 - Partitioning

LUGANO 650

Finishes

Compact finishes



Wenge oak look

Ref xx = 11



Black caviar look

Ref xx = 14



Brown buffalo look

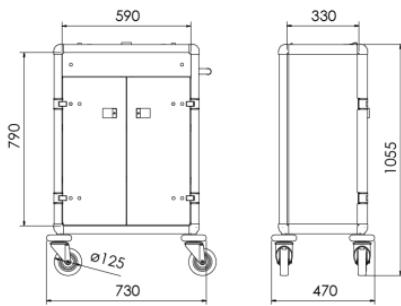
Ref xx = 16



Almond look

Ref xx = 17

Dimensions



LUGANO 650

Overall dimensions

Width	Depth	Height	Wheels Ø
730 mm	470 mm	1055 mm	125 mm

Inside dimensions

Width	Depth
590 mm	330 mm